

DATASHEET

XS4 ORIGINAL ESCUTCHEON by SALTO

The SALTO XS4 Original narrow body version is specially designed to fit most Euro profile doors, even narrow profile framed doors. This version also works with the majority of European mortise locks and cylinders.

www.saltosystems.com

TECHNICAL SPECIFICATIONS: XS4 ORIGINAL NARROW BODY Ex4xx

SALTO
inspired access



^(*) External escutcheon.

TECHNICAL DATA:

Reader dimensions (H x W x D):	282,0 x 40,0 x 20,0 mm
Weight	1,5 kg
Handle rotation:	Max. 33°
Door thicknesses:	32 mm - 120 mm
Distance from the handle to the cylinder	47 - 110 mm
Square spindles:	7mm, 7.6mm split, 8mm, 8mm split, 9mm, 9mm split.
Power source:	3 AAA batteries (LR03 1,5V)
Number of openings:	40,000 - 60,000 depending on the technology
Maximum events on lock audit	650 to 1,000 events
Environmental conditions:	+0 °C / +50 °C. (with Lithium batteries -20 °C / +60°C)
IP class:	IP56 (outside), IP55 (inside)
Certifications:	AbP (P-120003012, DO 20.52), Ü-Certificate, EN 179, (DO 20.52), CE, EN 1634-EI120, UL-10C*, DDA**

* Depending on the model

** Depending on the handles

ID TECHNOLOGIES:

MIFARE:*	•
BLE Smart:	•
NFC:	•
Legic:**	•
HID iClass®:	•
Picopass:	•
i-Button:	•

* MIFARE® (DESFire EV2, Plus, Ultralight C, Classic - ISO/IEC 14443).

** Legic Prime and Legic Advant

TECHNOLOGY PLATFORMS:**SALTO SPACE:**

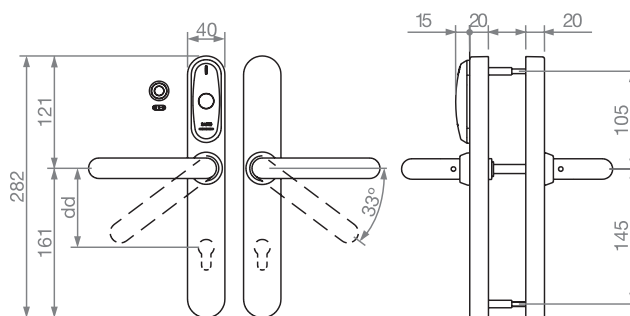
Smile - Selfprogrammable	•
ROM:	•
SVN data-on-card:	•
SALTO RFnet:	•
SALTO BLUEnet:	—

SALTO KS:

SALTO KS:	•
-----------	---

SALTO SALLIS:

SALLIS:	•
---------	---

TECHNICAL DRAWING:**OPTIONS:****Faceplate finish:**

IM Satin stainless steel:	•
IP Bright stainless steel:	•
IA Antique brass:	•
PP PVD bright brass type:	•
PM PVD satin brass type:	•
NE Black chromium:	•
BC BioCote anti-microbial:	•

Handles

Compatible handles	U, L, W, H, S, B, P, J, T, Y, Z, O, A, N, G, K, 2, 3, 4, 5, 7
--------------------	---

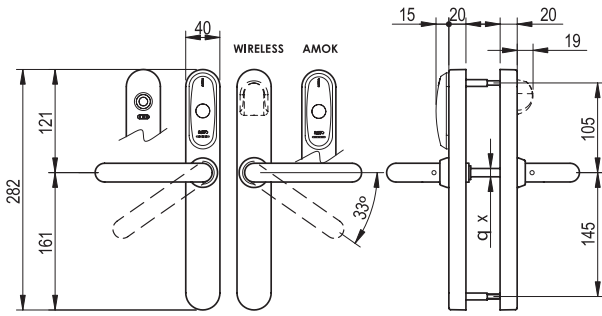
OPENING MODES:

Standard:	•
Office mode:	•
Timed office:	•
Automatic opening:	•
Automatic opening + office	•
Toggle:	•
Timed Toggle:	•
Amok mode:	•
Exit leaves open mode:	•

MODELS:

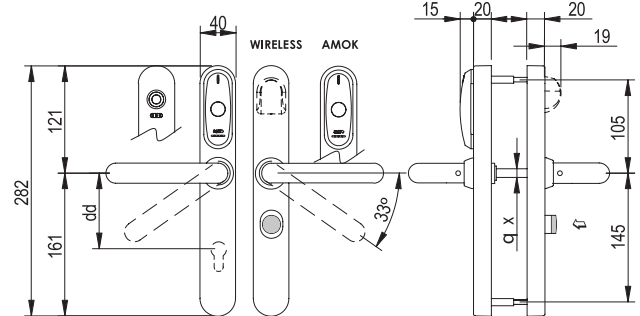
MODEL 50:

- 2 handles any type.



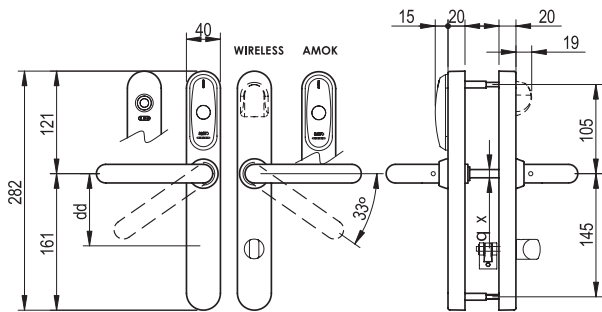
MODEL 57:

- 2 handles any type.
- Outside cylinder cut out.
- Electronic “do not disturb” system (Not available in self-programmable).



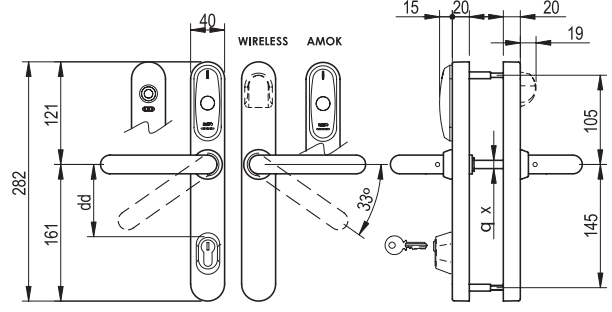
MODEL 51:

- 2 handles any type.
- Inside thumbturn.



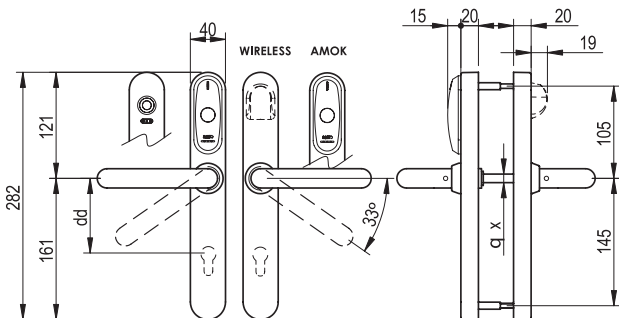
MODEL P0:

- 2 handles any type.
 - Built in mechanical override with audit.
- (Ex4P0 reference: Euro profile cylinder 30-10).



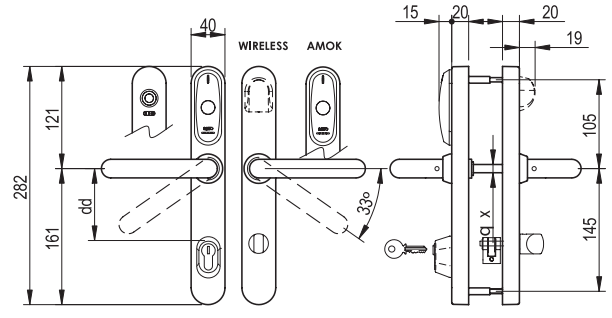
MODEL 52/53/54:

- 2 handles any type.
- Inside (models 52 / 53) / (models 54) Outside cylinder cut out.



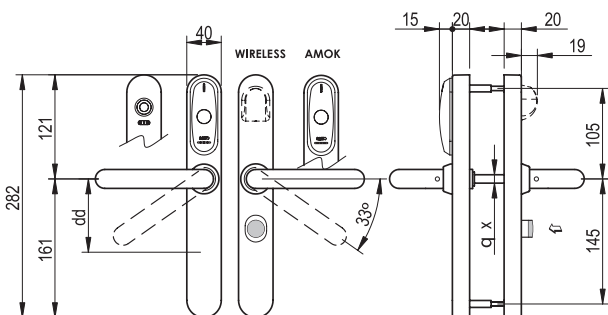
MODEL P1:

- 2 handles any type.
 - Inside thumbturn.
 - Built in mechanical override with audit.
- (Ex4P1 reference: Euro profile cylinder 30-10).



MODEL 56:

- 2 handles any type.
- Electronic “do not disturb” system (Not available in selfprogrammable).



MODEL P6:

- 2 handles any type.
 - Electronic “do not disturb” system
 - Built in mechanical override with audit.
- (Ex4P6 reference: Euro profile cylinder 30-10).

